

40 YEARS

**ALIMAS**  
ENERGY SYSTEMS

**Max**  
**Performance**<sup>®</sup>

**GOLD**

*Premium Battery*



[www.alimas.com.tr](http://www.alimas.com.tr)



[www.hepsiaku.com.tr](http://www.hepsiaku.com.tr)



## HAKKIMIZDA

Kurşun asit akümülatör üretimi, satışı ve satış sonrası destek hizmeti konularında 40 yıllık tecrübeye sahip **Alimas**, Endüstri 4.0 teknolojisini benimseyerek, ürün & hizmet kalite ve çeşitliliğini arttırarak yoluna daha güçlü şekilde devam etmektedir.

Üretiminde en iyi performansı hedefleyen teknolojik alt yapımızla yurt içinde hizmet verirken 40'dan fazla ülkeye akülerimizi ihraç ediyoruz.

Tüm ürünlerimiz TSE (Türk Standartları Enstitüsü), ISO 9001, ISO 14001, ISO 45001, ISO10002, ISO 16949, CE kalite belgelerine ve gerekli yeterliliklere sahiptir.

Kaliteden ödün vermeyen ürün anlayışımızla, alanında uzman mühendisler ve nitelikli iş gücümüzle büyüyen, güven veren ve gelişen bir marka olmak yolunda ilerliyoruz.

Üretimini yaptığımız tüm ürünlerin geri dönüşümünü sağlayarak; çevre dostu teknoloji politikamızla, gezegenimize ve işimize duyduğumuz saygıyla çalışıyoruz.



## ABOUT US

**Alimas** has been established by an enthusiastic team has over 40 years experience in production , marketing and service for lead acid acumulators.

We are aiming to enhance our quality and product range through adopting 4.0 Industry technology in each stage of production process and after sales service.

We are exporting to over 40 countries and serving to local market through monitoring and adapting the latest production technologies along with sustaining Research & Development activities to receive better daily outputs in all aspects of production processes.

**Alimas** holds TSE (Türk Standartları Enstitüsü) ,ISO 9001, ISO 14001, ISO 45001, ISO10002, ISO 16949, CE certificates.

Eco Power technolgy is our core competence. We are recycling each product we produce and proud to be an Ecofriendly company.

Our Mission, along with having a 40 years experience to be a powerful player producing the best quality eco-friendly energy storage products.

Our Vision, To become among the most 5 preferred Turkish producers and increase our global presence by % 40 by 2026.

**Max**  
**Performance**®



## SUPER MAINTENANCE FREE SERIES

(Without Plugs)



### DIN SERIES (Batteries For European Cars / Avrupa Serisi)

BOX	ALIMAS CODE	CAPACITY (Ah)	CCA A(EN)	DIMENSIONS (mm)			LAYOUT	TERMINAL TYPE	HOLD DOWN
				LENGHT	WIDTH	HEIGHT			
L1	SMF45L1-0	45	410	207	175	190	R+ / 0	A	B13
L1B	SMF45L1B-0	45	410	207	175	175	R+ / 0	A	B13
L1	SMF50L1-0	50	450	207	175	190	R+ / 0	A	B13
L1B	SMF50L1B-0	50	450	207	175	175	R+ / 0	A	B13
L2	SMF50L2-0	50	450	242	175	190	R+ / 0	A	B13
L2B	SMF50L2B-0	50	450	242	175	175	R+ / 0	A	B13
L2	SMF55L2-0	55	510	242	175	190	R+ / 0	A	B13
L2B	SMF55L2B-0	55	510	242	175	175	R+ / 0	A	B13
L2	SMF60L2-0	60	540	242	175	190	R+ / 0	A	B13
L2B	SMF60L2B-0	60	540	242	175	175	R+ / 0	A	B13
L2	SMF62L2-0	62	550	242	175	190	R+ / 0	A	B13
L2B	SMF62L2B-0	62	550	242	175	175	R+ / 0	A	B13
L3	SMF66L3-0	66	600	278	175	190	R+ / 0	A	B13
L3B	SMF66L3B-0	66	600	278	175	175	R+ / 0	A	B13
L3	SMF72L3-0	72	640	278	175	190	R+ / 0	A	B13
L3B	SMF72L3B-0	72	640	278	175	175	R+ / 0	A	B13
L3	SMF75L3-0	75	660	278	175	190	R+ / 0	A	B13
L3B	SMF75L3B-0	75	660	278	175	175	R+ / 0	A	B13
L4	SMF80L4-0	80	700	315	175	190	R+ / 0	A	B13
L4B	SMF80L4B-0	80	700	315	175	175	R+ / 0	A	B13
L5	SMF88L5-0	88	740	353	175	190	R+ / 0	A	B13
L5B	SMF88L5B-0	88	740	353	175	175	R+ / 0	A	B13
L5	SMF100L5-0	100	840	353	175	190	R+ / 0	A	B13
L5B	SMF100L5B-0	100	840	353	175	175	R+ / 0	A	B13
L5	SMF110L5-0	110	860	353	175	190	R+ / 0	A	B13

REVERSE POLARITY IS AVAILABLE FOR ALL TYPES.

A: STANDART TERMINAL TYPE



## SUPER MAINTENANCE FREE SERIES (Without Plugs)



### JIS SERIES (Batteries For Japanese Cars / Japon Serisi)

BOX	ALIMAS CODE	NEW JIS CODE	OLD JIS CODE	CAPACITY (Ah)	CCA A(EN)	DIMENSIONS (mm)			LAYOUT	TERMINAL TYPE	HOLD DOWN
						LENGHT	WIDTH	HEIGHT			
NS40	SMF35NS40B-0	40B19L	NS40ZL	35	320	196	125	225	R+ / 0	B	B00
NS40	SMF35NS40-0	40B19LS	NS40ZLS	35	320	196	125	225	R+ / 0	A	B00
NS60	SMF40NS60-0	N/A	N40L	40	360	237	127	224	R+ / 0	A	B00
NS60	SMF45NS60B-0	50B24L	NS60L	45	400	237	127	224	R+ / 0	B	B00
NS60	SMF45NS60-0	50B24LS	NS60LS	45	400	237	127	224	R+ / 0	A	B00
N50	SMF50N50-0	48D26L	N50L	50	450	253	170	225	R+ / 0	A	B01
D23	SMF55D23-0	N/A	N/A	55	510	230	170	225	R+ / 0	A	B01
NS60	SMF60NS60-0	N/A	N/A	60	510	237	127	224	R+ / 0	A	B01
N50	SMF60N50-0	55D26L	N50ZL	60	540	253	170	225	R+ / 0	A	B01
D23	SMF60D23-0	55D23L	55D23L	60	540	230	170	225	R+ / 0	A	B01
N50	SMF70N50-0	80D26L	NX110-5L	70	620	253	170	225	R+ / 0	A	B01
N70	SMF70N70-0	65D31L	N70L	70	620	305	175	222	R+ / 0	A	B01
N70	SMF75N70-0	75D31L	N70ZL	75	640	305	175	222	R+ / 0	A	B01
N70	SMF80N70-0	95D31L	NX110-7L	80	700	305	175	222	R+ / 0	A	B01
N70	SMF90N70-0	105D31L	105D31L	90	720	305	175	222	R+ / 0	A	B01
GR31	SMF100GR31-0	N/A	N/A	100	820	345	173	230	R+ / 0	A	B00
GR31	SMF110GR31-0	N/A	N/A	110	850	345	173	230	R+ / 0	A	B00
GR31	SMF115GR31-0	N/A	N/A	115	880	345	173	230	R+ / 0	A	B00

REVERSE POLARITY IS AVAILABLE FOR ALL TYPES.

A: STANDART TERMINAL TYPE

B: THIN TERMINAL TYPE

### A-B-C SERIES (Heavy Duty Batteries / Ağır Hizmet)

BOX	ALIMAS CODE	CAPACITY (Ah)	CCA A(EN)	DIMENSIONS (mm)			LAYOUT	TERMINAL TYPE	HOLD DOWN
				LENGHT	WIDTH	HEIGHT			
A	SMF120A-3	120	900	513	189	223	3	A	B03
A	SMF135A-3	135	950	513	189	223	3	A	B03
B	SMF150B-3	150	1000	510	218	235	3	A	B03
B	SMF165B-3	165	1050	510	218	235	3	A	B03
B	SMF170B-3	170	1100	510	218	235	3	A	B03
B	SMF180B-3	180	1150	510	218	235	3	A	B03
B	SMF190B-3	190	1200	510	218	235	3	A	B03
C	SMF200C-3	200	1250	518	276	245	3	A	B00
C	SMF225C-3	225	1350	518	276	245	3	A	B00
C	SMF240C-3	240	1400	518	276	245	3	A	B00

REVERSE POLARITY IS AVAILABLE FOR ALL TYPES.

A: STANDART TERMINAL TYPE

## MAINTENANCE FREE SERIES (With Plugs)



## DIN SERIES (Batteries For European Cars / Avrupa Serisi)

BOX	ALIMAS CODE	CAPACITY (Ah)	CCA A(EN)	DIMENSIONS (mm)			LAYOUT	TERMINAL TYPE	HOLD DOWN
				LENGHT	WIDTH	HEIGHT			
L1	MF45L1-0	45	410	207	175	190	R+ / 0	A	B13
L1B	MF45L1B-0	45	410	207	175	175	R+ / 0	A	B13
L1	MF50L1-0	50	450	207	175	190	R+ / 0	A	B13
L1B	MF50L1B-0	50	450	207	175	175	R+ / 0	A	B13
L2	MF50L2-0	50	450	242	175	190	R+ / 0	A	B13
L2B	MF50L2B-0	50	450	242	175	175	R+ / 0	A	B13
L2	MF55L2-0	55	510	242	175	190	R+ / 0	A	B13
L2B	MF55L2B-0	55	510	242	175	175	R+ / 0	A	B13
L2	MF60L2-0	60	540	242	175	190	R+ / 0	A	B13
L2B	MF60L2B-0	60	540	242	175	175	R+ / 0	A	B13
L2	MF62L2-0	62	550	242	175	190	R+ / 0	A	B13
L2B	MF62L2B-0	62	550	242	175	175	R+ / 0	A	B13
L3	MF66L3-0	66	600	278	175	190	R+ / 0	A	B13
L3B	MF66L3B-0	66	600	278	175	175	R+ / 0	A	B13
L3	MF72L3-0	72	640	278	175	190	R+ / 0	A	B13
L3B	MF72L3B-0	72	640	278	175	175	R+ / 0	A	B13
L3	MF75L3-0	75	660	278	175	190	R+ / 0	A	B13
L3B	MF75L3B-0	75	660	278	175	175	R+ / 0	A	B13
L4	MF80L4-0	80	700	315	175	190	R+ / 0	A	B13
L4B	MF80L4B-0	80	700	315	175	175	R+ / 0	A	B13
L5	MF88L5-0	88	730	353	175	190	R+ / 0	A	B13
L5B	MF88L5B-0	88	730	353	175	175	R+ / 0	A	B13
L5	MF100L5-0	100	840	353	175	190	R+ / 0	A	B13
L5B	MF100L5B-0	100	840	353	175	190	R+ / 0	A	B13
L5	MF110L5-0	110	860	353	175	190	R+ / 0	A	B13

REVERSE POLARITY IS AVAILABLE FOR ALL TYPES.

A: STANDART TERMINAL TYPE



## MAINTENANCE FREE SERIES (MF: With Plugs)



### JIS SERIES (Light Truck Batteries / Hafif Ticari)

BOX	ALIMAS CODE	CAPACITY (Ah)	CCA A(EN)	DIMENSIONS (mm)			LAYOUT	TERMINAL TYPE	HOLD DOWN
				LENGHT	WIDTH	HEIGHT			
H3	MF90H3-0	90	740	324	175	226	R+ / 0	A	B03
H3	MF100H3-0	100	780	324	175	226	R+ / 0	A	B03
H4	MF105H4-0	105	820	343	173	235	R+ / 0	A	B03
D2	MF105D2-0	105	820	356	173	235	R+ / 0	A	B01
H4	MF110H4-0	110	850	343	173	235	R+ / 0	A	B03
D2	MF110D2-0	110	850	356	173	235	R+ / 0	A	B01
D2	MF115D2-0	115	880	356	173	235	R+ / 0	A	B01

REVERSE POLARITY IS AVAILABLE FOR ALL TYPES.

A: STANDART TERMINAL TYPE

7

### A-B-C SERIES (Heavy Duty Batteries / Ağır Hizmet)

BOX	ALIMAS CODE	CAPACITY (Ah)	CCA A(EN)	DIMENSIONS (mm)			LAYOUT	TERMINAL TYPE	HOLD DOWN
				LENGHT	WIDTH	HEIGHT			
D4	MF120D4-3	120	900	513	189	223	3	A	B03
D3	MF128D3-0	128	900	358	175	280	R+ / 0	A	B01
D4	MF135D4-3	135	950	513	189	223	3	A	B03
D5	MF150D5-3	150	1000	510	218	235	3	A	B03
D5	MF165D5-3	165	1100	510	218	235	3	A	B03
D5	MF180D5-3	180	1150	510	218	235	3	A	B03
D5	MF190D5-3	190	1200	510	218	235	3	A	B03
D6	MF200D6-3	200	1250	518	276	245	3	A	B00
D6	MF225D6-3	225	1350	518	276	245	3	A	B00
D6	MF240D6-3	240	1400	518	276	245	3	A	B00

REVERSE POLARITY IS AVAILABLE FOR ALL TYPES.

A: STANDART TERMINAL TYPE



## NATO SERIES



BOX	ALIMAS CODE	CAPACITY (Ah)	CCA A(EN)	DIMENSIONS (mm)			LAYOUT	TERMINAL TYPE	HOLD DOWN
				LENGTH	WIDTH	HEIGHT			
D7NATO	SMF100D7NATO-2	100	780	286	270	230	2	A	B00
D7NATO	SMF125D7NATO-2	125	900	286	270	230	2	A	B00

8

## MARINE SERIES



BOX	ALIMAS CODE	CAPACITY (Ah)	CCA A(EN)	DIMENSIONS (mm)			LAYOUT	TERMINAL TYPE	HOLD DOWN
				LENGTH	WIDTH	HEIGHT			
A	SMFM135A	135	950	513	189	223	3	A	B03
B	SMFM180B	180	1100	502	218	225	3	A	B00
C	SMFM200C	200	1250	518	276	245	3	A	B00
C	SMFM225C	225	1300	518	276	245	3	A	B00





## MOTORCYCLE / E-BIKE



### MOTORCYCLE SERIES

CODE	Voltage, V	CAPACITY (Ah)	CCA @ -18°C	Diemension mm(±2mm)			Terminal	Weight (with acid), kg	Charging current, A
				L	W	H			
YTX5L-BS	12	5	90	113	70	105	A	2,02	0,5
12N5L-BS	12	5	70	119	59	130	B	1,89	0,5
12N6.5L-BS	12	6.5	85	139	66	102	A	2,32	0,65
YTX7L-BS	12	7	85	113	70	130	A	2,43	0,7
YTX7A-BS	12	7	90	150	87	93	A	2,50	0,7
YTX9A-BS	12	9	120	150	87	105	B	3,07	0,9
12N9L-BS	12	9	120	135	75	139	B	3,07	0,9
12N12L-BS	12	12	150	150	85	130	B	3,41	1,2
YTX14-BS	12	14	160	150	87	146	B	4,40	1,4
YTX20L-BS	12	20	200	175	87	156	B	6,00	2
YTX30L-BS	12	30	300	165	127	175	B	8,50	3

### E-BIKE SERIES

CODE	TYPE	Nominal Voltage, V	CAPACITY (Ah)	Diemension mm(±2mm)			Terminal	Weight (with acid), kg
				L	W	H		
6 DZM 14	DEEP CYCLE	12	14	151,5	99,5	97	M5	4,3
6 DZM 24	DEEP CYCLE	12	24	181	76,5	170,5	M5	6,9
6 DZM 24A	DEEP CYCLE	12	24	188	100	130	M5	7
6 DZM 38	DEEP CYCLE	12	38	267	77	170	M5	9,2
6 DZM 60	DEEP CYCLE	12	60	223	121	175	M6	12,8

# ALIMAS

ENERGY SYSTEMS





## EFB BATTERIES ( FOR START&STOP CARS)

BOX	ALIMAS CODE	CAPACITY (Ah)	CCA A(EN)	DIMENSIONS (mm)			LAYOUT	TERMINAL TYPE	HOLD DOWN
				LENGHT	WIDTH	HEIGHT			
L2	EFB60L2.0	60	560	242	175	190	R+ / 0	A	B13
L3	EFB72L3.0	72	680	278	175	190	R+ / 0	A	B13
L4	EFB84L4.0	84	750	315	175	190	R+ / 0	A	B13

## TAXI BATTERIES ( FOR TAXI CARS)



BOX	ALIMAS CODE	CAPACITY (Ah)	CCA A(EN)	DIMENSIONS (mm)			LAYOUT	TERMINAL TYPE	HOLD DOWN
				LENGHT	WIDTH	HEIGHT			
L2	TX63L2.0	63	560	242	175	190	R+ / 0	A	B13
L3	TX72L3.0	72	680	278	175	190	R+ / 0	A	B13
D23	TX60D23.0	60	560	230	170	225	R+ / 0	A	B03
N50	TX70N50.0	70	660	253	170	225	R+ / 0	A	B03

11



## BCI BATTERIES ( FOR AMERICAN CARS)

BOX	ALIMAS CODE	CAPACITY (Ah)	CCA A(EN)	DIMENSIONS (mm)			LAYOUT	TERMINAL TYPE	HOLD DOWN
				LENGHT	WIDTH	HEIGHT			
24	BCI-GR24	50-80	450-750	257	172	220	R+ / 0	A	B00
65	BCI-GR65	75-85	650-750	294	87	191	R+ / 0	A	B00
31	BCI-GR31	75-110	650-900	330	172	242	R+ / 0	A	B00



## VRLA - AGM TYPE



12

	MODEL	VOLT	CAPACITY (Ah)	WEIGHT (kg)	DIMENSION (mm)	TERMINAL TYPE
<b>GENERAL PURPOSE STAND BY / AGM</b>						
<b>5 YEARS LIFE</b>	MPA04004.0	4	<b>4</b>	0.50	45 x 45 x 100	F1
	MPA06001.3	6	<b>1.3</b>	0.30	97 x 24 x 52	F1
	MPA06003.2	6	<b>3.2</b>	0.60	134 x 35 x 61	F1
	MPA06004.5	6	<b>4.5</b>	0.70	70 x 47 x 101	F1
	MPA06005.0	6	<b>5</b>	0.78	70 x 47 x 101	F1
	MPA06007.0	6	<b>7.0</b>	1.70	98 x 56 x 118	F1 / F2
	MPA06012.0	6	<b>12</b>	1.80	151 x 50 x 95	F1 / F2
	MPA12001.3	12	<b>1.3</b>	0.58	97 x 43 x 52	F1
<b>10 YEARS LIFE</b>	MPA12002.3	12	<b>2.3</b>	0.90	178 x 35 x 61	F1
	MPA12003.2	12	<b>3.2</b>	1.30	134 x 67 x 61	F1
	MPA12004.5	12	<b>4.5</b>	1.50	90 x 70 x 101	F1 / F2
	MPA12007.0	12	<b>7.0</b>	1.90	151 x 65 x 93	F1
	MPA12007.0	12	<b>7.0</b>	2.05	151 x 65 x 93	F1
	MPA12007.2	12	<b>7.2</b>	2.15	151 x 65 x 93	F2
	MPA12007.5	12	<b>7.5</b>	2.30	151 x 65 x 93	F2
	MPA12009.0	12	<b>9.0</b>	2.60	151 x 65 x 93	F2
	MPA12012.0	12	<b>12</b>	3.50	151 x 98 x 95	F2
	MPA12018.0	12	<b>18</b>	5.00	181 x 77 x 167	F3 / F8
	MPA12026.0	12	<b>26</b>	7.90	166 x 175 x 125	F3 / F8
	MPA12033.0	12	<b>33</b>	10.00	195 x 130 x 159	F7 / F9
	MPA12040.0	12	<b>40</b>	12.60	195 x 166 x 176	F4 / F9
	MPA12044.0	12	<b>44</b>	13.70	195 x 166 x 176	F4 / F9
	MPA12055.0	12	<b>55</b>	17.00	230 x 138 x 222	F5 / F9
	MPA12065.0	12	<b>65</b>	20.00	350 x 165 x 175	F5 / F9
	MPA12080.0	12	<b>80</b>	23.00	350 x 165 x 175	F5 / F9
	MPA12080.0	12	<b>80</b>	23.50	260 x 168 x 233	F5 / F9
	MPA12100.0	12	<b>100</b>	30.00	330 x 173 x 219	F5 / F9
	MPA12120.0	12	<b>120</b>	35.00	405 x 172 x 236	F5 / F11
MPA12150.0	12	<b>150</b>	44.00	483 x 170 x 241	F5 / F11	
MPA12200.0	12	<b>200</b>	60.00	522 x 240 x 219	F5 / F11	



## GEL BATTERY SERIES

CODE	VOLT	CAPACITY (Ah)	DIEMENSION (L x W x H)	WEIGHT (kg)
MPG12026.0	12	26	166 x 175 x 125	8,5
MPG12033.0	12	33	195 x 130 x 159	10,5
MPG12040.0	12	40	195 x 166 x 176	13,5
MPG12055.0	12	55	195 x 166 x 176	17,5
MPG12065.0	12	65	350 x 167 x 180	21
MPG12080.0	12	80	260 x 168 x 233	24
MPG12100.0	12	100	328 x 172 x 222	31
MPG12115.0	12	115	328 x 172 x 222	34
MPG12120.0	12	120	407 x 177 x 225	36
MPG12150.0	12	150	483 x 170 x 240	45
MPG12200.0	12	200	522 x 240 x 219	61,5
MPG12250.0	12	250	520 x 268 x 223	68

13

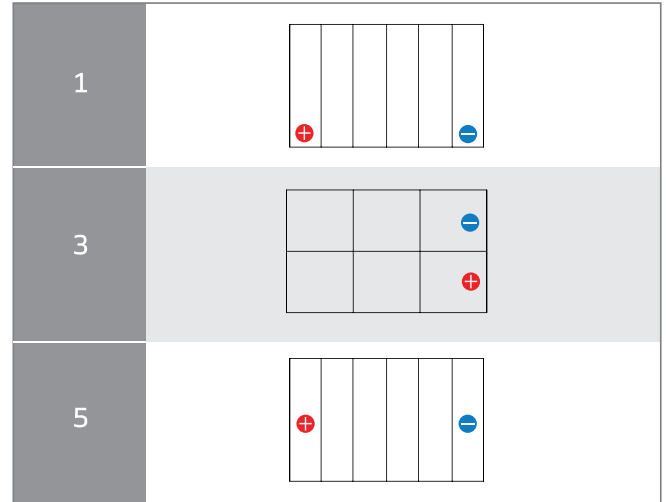
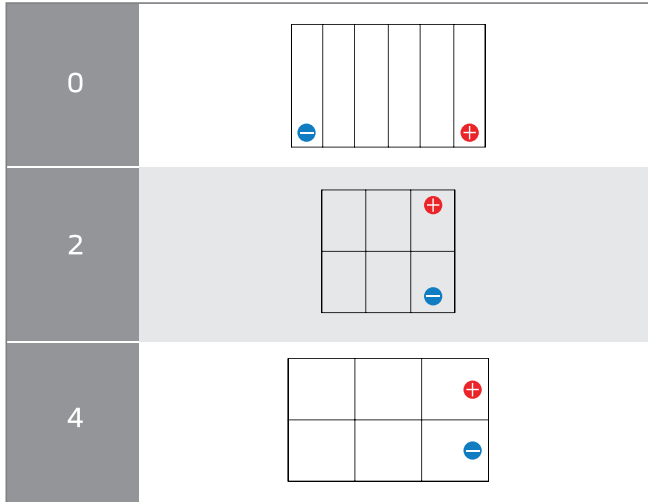


## GOLF CAR SERIES

CODE	VOLT	CAPACITY (Ah)	DIEMENSION (L x W x H)	TYPE
MPD6240.0	6	240	245 x 187 x 276	WET
MPD6300.0	6	300	295 x 177 x 336	WET
MPD6230.0	6	230	260 x 180 x 272	GEL
MPD8170.0	8	170	262 x 182 x 280	GEL
MPD8200.0	8	200	262 x 182 x 280	GEL
MPD6310.0	6	310	295 x 178 x 348	GEL

## TECHNICAL DATA

### LAYOUT



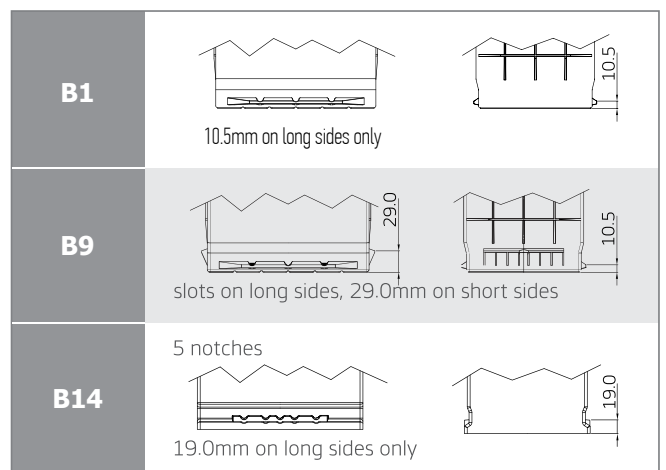
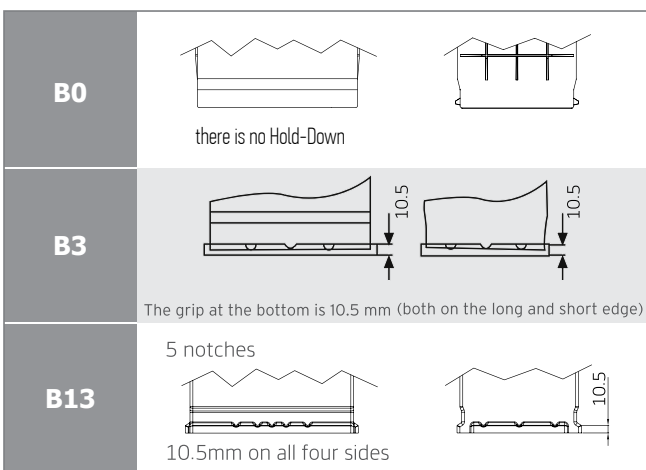
### TERMINALS

14

Terminal	A (Standard)	B (Small)	Dual Fit	4F	Stud	Side	Marine Twin	U1 Lug
Positive					 3/8"-16 Threads		 5/16"-18 THREADS	
Negative					 3/8"-16 Threads		 5/16"-18 THREADS	

\* DT: Dual Terminal (Standard + Side)

### HOLD-DOWN





## SERTİFİKALARIMIZ / CERTIFICATES



15





**Max**  
**Performance**<sup>®</sup>

**GOLD**

*Premium Battery*



**Head Office:**

100. Yil Bulvarı 1232. Sokak No: 65

Ostim - Ankara / TURKEY

**Phone : +90 (312) 33 4 5555**

**E-mail : info@alimas.com.tr**

